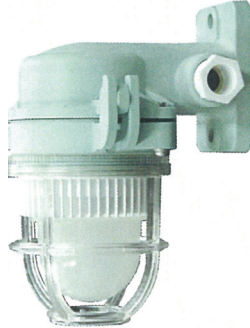


# LED WALL LIGHT



## BG SERIES



### Key Features

- Complete solution with heat sink, driver and polycarbonate diffuser
- Triac dimming compatible (220-240VAC & 100V-120VAC only)
- Vibration-resistant
- Alternative to 100W incandescent bulb
- Energy savings of up to 90% compared to 100W incandescent bulb
- Long service life of 50,000 hours L70 @ 45°C (Ta)
- Safety, EMC and IEC compliance,



### Application

Engine rooms, Low visibility areas, Decks, Warehouses, Yards

### Material

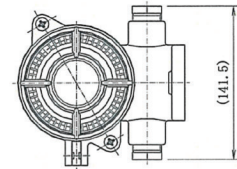
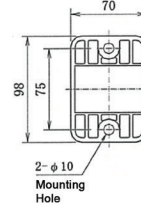
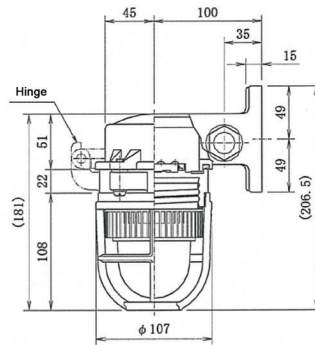
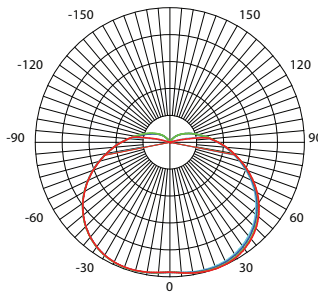
Marine grade aluminium alloy with powder coating and PBT fiberglass reinforced body, polycarbonate diffuser and guard

### Options

Polycarbonate clear guard (PC)  
Polycarbonate red guard (PR)

### Weight

1.0Kg



## TECHNICAL SPECIFICATIONS



- PC Denotes : Polycarbonate clear guard
- PR Denotes : Polycarbonate red guard

Ideal Replacement:



BH Code	Type	Main Voltage	Power	CCT	Beam Angle	Ambient Temp (Ta)	System Lumen
IGLABGLS10A2PC	BG-LS10A2PC	220V - 240V AC	13W	5000K	160°	-40°C ~ +45°C	900lm
IGLABGLS10A1PC	BG-LS10A1PC	100V - 120V AC	12W	5000K	160°	-40°C ~ +45°C	900lm
IGLABGLS10DPR	BG-LS10DPR	24V DC	10W	5000K	160°	-40°C ~ +45°C	950lm

Also available in other CCT.

