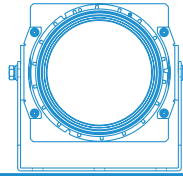


MODULAR LED FLOODLIGHT



MFL 1 SERIES



Key Features

- Triac dimming compatible (**220V-240VAC & 100V-120VAC only**)
- Designed with reliable AC driver on board to enhance the service life
- Rapid heat-dispersing design to prolong lamp life and optimise lumen output
- Long service life of 100,000 hours @ 50°C (Ta)
- Compact and lightweight design
- Interchangeable module
- Safety, EMC and IEC compliance



Application

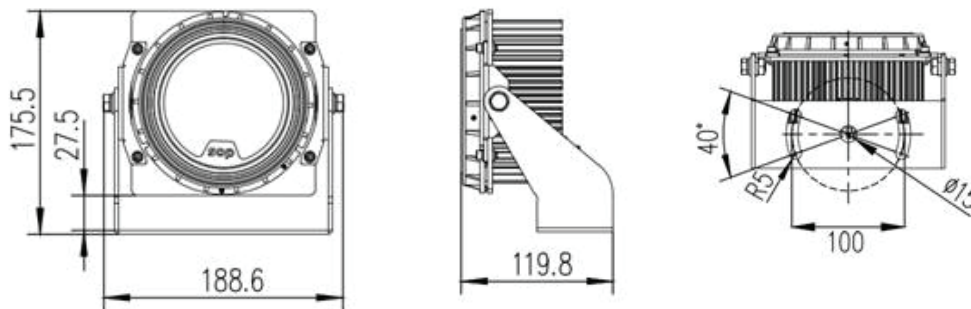
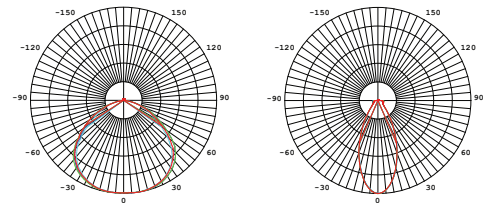
Decks, Marinas, Docks, Ports, Warehouses

Material

Marine grade aluminium alloy with powder coating, comes with 4mm tempered glass front cover

Weight

1.9Kg



TECHNICAL SPECIFICATIONS IP 66

Ideal Replacement:



| BH Code | Type | Main Voltage | Power | CCT | Beam Angle | Ambient Temp (Ta) | System Lumen |
|------------|---------|----------------|-------|-------|------------|-------------------|--------------|
| LAMFL15FA2 | MFL1FA2 | 220V - 240V AC | 56W | 5000K | 115° | -40°C ~ +50°C | 5500lm |
| LAMFL15NA2 | MFL1NA2 | 220V - 240V AC | 56W | 5000K | 45° | -40°C ~ +50°C | 5400lm |
| LAMFL15FA1 | MFL1FA1 | 100V - 120V AC | 56W | 5000K | 105° | -40°C ~ +50°C | 4500lm |
| LAMFL15NA1 | MFL1NA1 | 100V - 120V AC | 56W | 5000K | 45° | -40°C ~ +50°C | 4500lm |
| LAMFL15FD | MFL1FD | 24V DC | 56W | 5000K | 130° | -40°C ~ +50°C | 4900lm |
| LAMFL15ND | MFL1ND | 24V DC | 56W | 5000K | 35° | -40°C ~ +50°C | 4600lm |

Also available in other CCT and beam angle upon request.



Due to our continuous development and product improvement policy, we reserve the rights to revise the specifications of all products without prior notice.