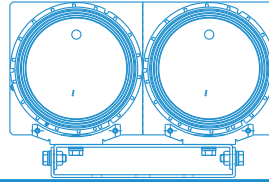


MODULAR LED FLOODLIGHT



MFL 2 SERIES



Key Features

- Triac dimming compatible (**220V-240VAC & 100V-120VAC only**)
- Designed with reliable AC driver on board to enhance the service life
- Rapid heat-dissipating design to prolong lamp life and optimise lumen output
- Long service life of 100,000 hours @ 50°C (Ta)
- Compact and lightweight design
- Interchangeable module
- Safety, EMC and IEC compliance



Application

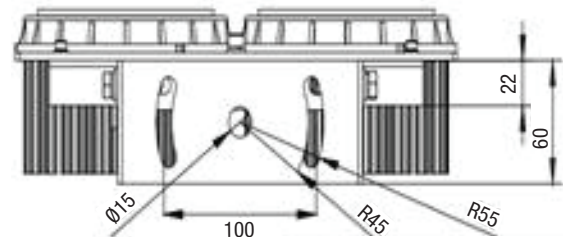
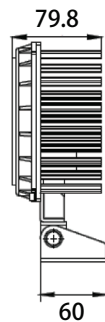
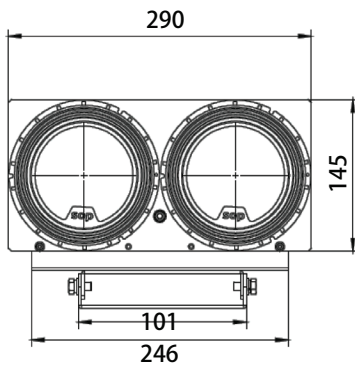
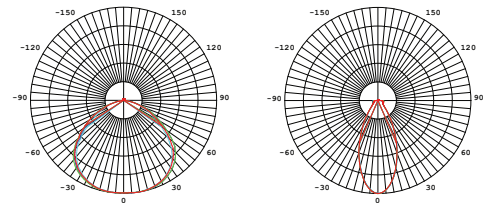
Decks, Marinas, Docks, Ports, Warehouses

Material

Marine grade aluminium alloy with powder coating, comes with 4mm tempered glass front cover

Weight

3.5Kg



TECHNICAL SPECIFICATIONS IP 66

Ideal Replacement:



BH Code	Type	Main Voltage	Power	CCT	Beam Angle	Ambient Temp (Ta)	System Lumen
LAMFL25FA2	MFL2FA2	220V - 240V AC	112W	5000K	115°	-40°C ~ +50°C	11000lm
LAMFL25NA2	MFL2NA2	220V - 240V AC	112W	5000K	45°	-40°C ~ +50°C	10800lm
LAMFL25FA1	MFL2FA1	100V - 120V AC	112W	5000K	105°	-40°C ~ +50°C	9000lm
LAMFL25NA1	MFL2NA1	100V - 120V AC	112W	5000K	45°	-40°C ~ +50°C	9000lm
LAMFL25FD	MFL2FD	24V DC	112W	5000K	130°	-40°C ~ +50°C	9800lm
LAMFL25ND	MFL2ND	24V DC	112W	5000K	35°	-40°C ~ +50°C	9200lm

Also available in other CCT and beam angle upon request.



Due to our continuous development and product improvement policy, we reserve the rights to revise the specifications of all products without prior notice.