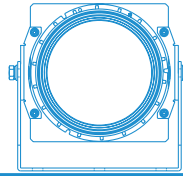


# MODULAR LED FLOODLIGHT



## MFL 1 SERIES



### Key Features

- Triac dimming compatible (220V-240VAC & 100V-120VAC only)
- Designed with reliable AC driver on board to enhance the service life
- Rapid heat-dissensing design to prolong lamp life and optimise lumen output
- Long service life of 100,000 hours @ 50°C (Ta)
- Compact and lightweight design
- Interchangeable module
- Safety, EMC and IEC compliance



### Application

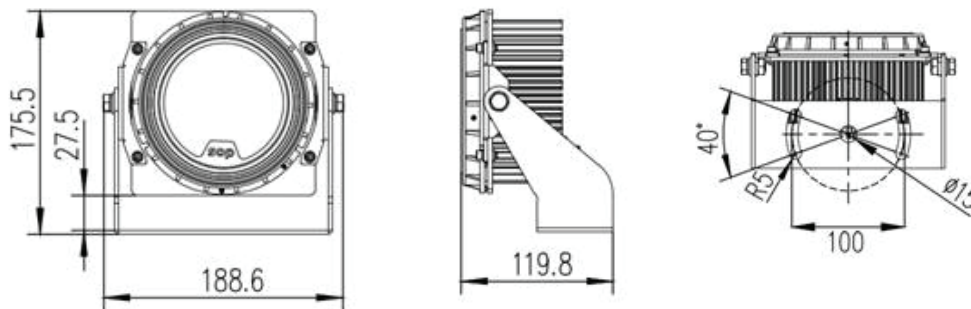
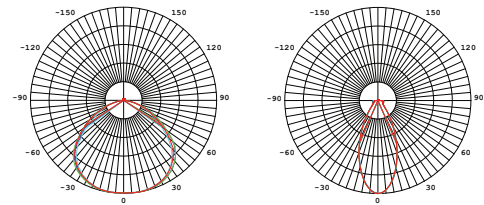
Decks, Marinas, Docks, Ports, Warehouses

### Material

Marine grade aluminium alloy with powder coating, comes with 4mm tempered glass front cover

### Weight

1.9Kg



## TECHNICAL SPECIFICATIONS IP 66

Ideal Replacement:



BH Code	Type	Main Voltage	Power	CCT	Beam Angle	Ambient Temp (Ta)	System Lumen
LAMFL15FA2	MFL1FA2	220V - 240V AC	56W	5000K	115°	-40°C ~ +50°C	5500lm
LAMFL15NA2	MFL1NA2	220V - 240V AC	56W	5000K	45°	-40°C ~ +50°C	5400lm
LAMFL15FA1	MFL1FA1	100V - 120V AC	56W	5000K	105°	-40°C ~ +50°C	4500lm
LAMFL15NA1	MFL1NA1	100V - 120V AC	56W	5000K	45°	-40°C ~ +50°C	4500lm
LAMFL15FD	MFL1FD	24V DC	56W	5000K	130°	-40°C ~ +50°C	4900lm
LAMFL15ND	MFL1ND	24V DC	56W	5000K	35°	-40°C ~ +50°C	4600lm

Also available in other CCT and beam angle upon request.



Due to our continuous development and product improvement policy, we reserve the rights to revise the specifications of all products without prior notice.