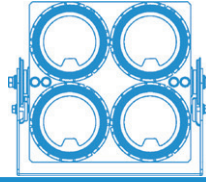


LED FLOODLIGHT



MFL 4 SERIES



Key Features

- Triac dimming compatible (**220V-240VAC & 100V-120VAC only**)
- Designed with reliable AC driver on board to enhance the service life
- Rapid heat-dissipating design to prolong lamp life and optimise lumen output
- Long service life of 100,000 hours @ 50°C (Ta)
- Compact and lightweight design
- Interchangeable module
- Safety, EMC and IEC compliance

Application

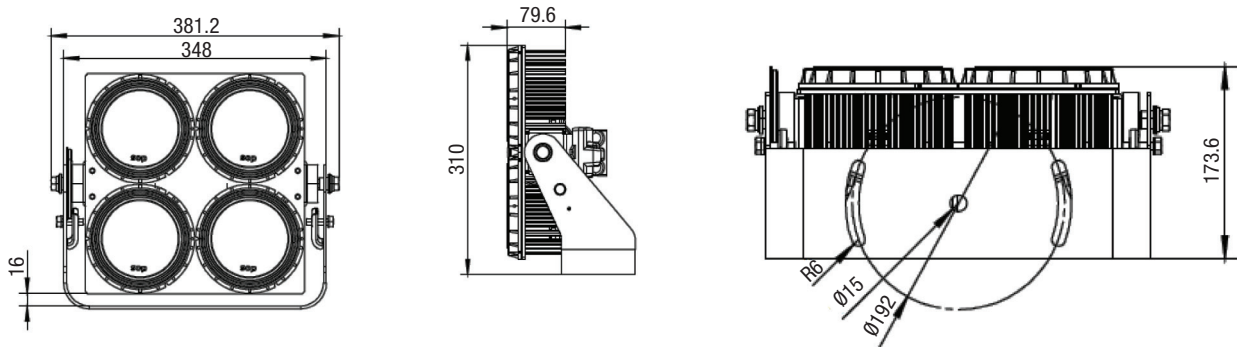
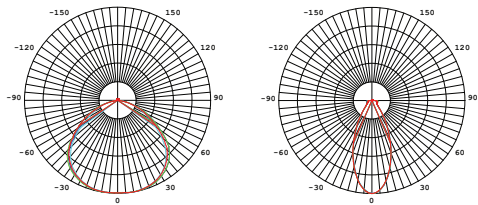
Decks, Marinas, Docks, Ports, Warehouses

Material

Marine grade aluminium alloy with powder coating, comes with 4mm tempered glass front cover

Weight

7.4Kg



TECHNICAL SPECIFICATIONS IP 66

Ideal Replacement:



BH Code	Type	Main Voltage	Power	CCT	Beam Angle	Ambient Temp (Ta)	System Lumen
LAMFL45FA2OB	MFL4FA2	220V - 240V AC	224W	5000K	115°	-40°C ~ +50°C	22000lm
LAMFL45NA2OB	MFL4NA2	220V - 240V AC	224W	5000K	45°	-40°C ~ +50°C	21600lm
LAMFL45FA1OB	MFL4FA1	100V - 120V AC	224W	5000K	105°	-40°C ~ +50°C	18000lm
LAMFL45NA1OB	MFL4NA1	100V - 120V AC	224W	5000K	45°	-40°C ~ +50°C	18000lm
LAMFL45FDOB	MFL4FD	24V DC	224W	5000K	130°	-40°C ~ +50°C	19600lm
LAMFL45NDOB	MFL4ND	24V DC	224W	5000K	35°	-40°C ~ +50°C	18400lm

Also available in other CCT and beam angle upon request.



Due to our continuous development and product improvement policy, we reserve the rights to revise the specifications of all products without prior notice.