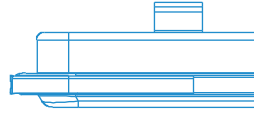
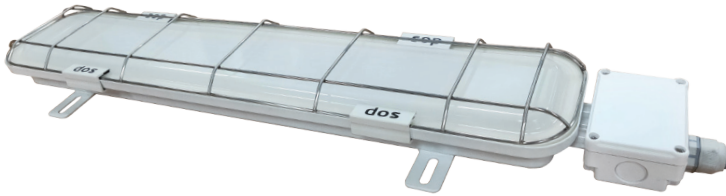


LED WATERTIGHT LINEAR LUMINAIRE



LMWS SERIES



Key Features

- Super thin light weight design
- Superior thermal design to allow the luminaire to operate at high ambient temperature up to 60°C, suitable for usage even in hot engine room
- Designed with reliable AC driver on board to enhance the service life
- Designed with junction box for fast termination
- Polycarbonate diffuser prevents glare for better eye comfort
- Supports dual voltage AC100V-120V / 220V-240V. Option for DC20V-32V available
- Long service life of 50,000 hours @ 50°C (Ta)
- Marine class compliance

Application

Decks, Engine rooms, Marinas, Docks, Ports, Warehouses

Mounting Method

Surface mounted

Material

Diffuser: Polycarbonate
 Housing: Zinc coated steel or SUS316 stainless steel, Powder coated white
 Optional protection guard: SUS316 stainless steel

Electrical

Flexible wiring, Heat resistant up to 105°C

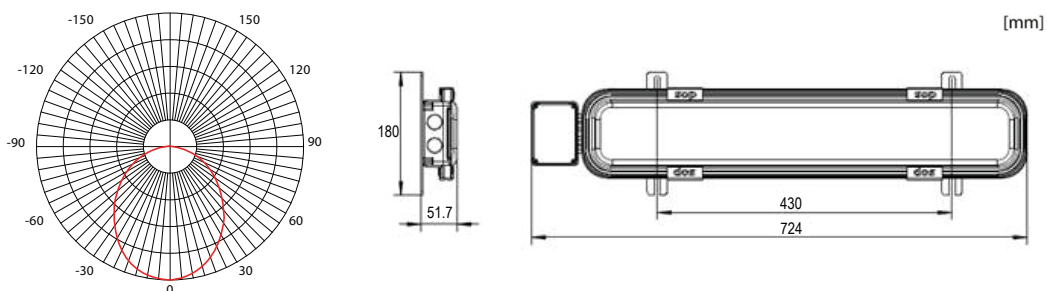
Options

20V-32V DC

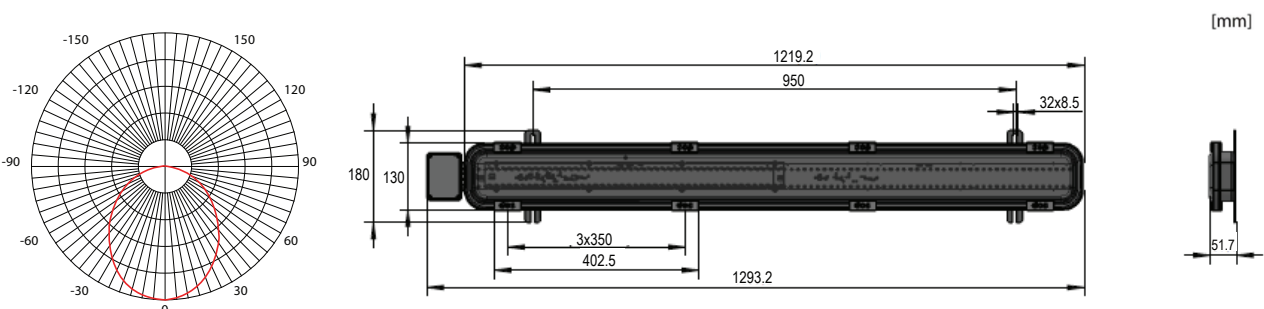
Weight

LMWS20 (ZCS): 2.0Kg LMWS20 (SUS316): 2.1Kg
 LMWS40 (ZCS): 3.7Kg LMWS40 (SUS316): 3.8Kg
 With 2nd Junction Box: Add 0.2Kg
 With LMWS20 Protection Guard: Add 0.2Kg
 With LMWS40 Protection Guard: Add 0.4Kg

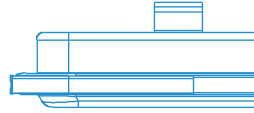
LMWS20



LMWS40



LED WATERTIGHT LINEAR LUMINAIRE



LMWS SERIES

- 10 Denotes : Zinc coated steel housing w/1 junction box
- 1B Denotes : Zinc coated steel housing w/1 junction box & 3hr NiMH battery backup
- 1E Denotes : Zinc coated steel housing w/1 junction box & DC24V emergency LED
- 20 Denotes : Zinc coated steel housing w/2 junction box
- 2B Denotes : Zinc coated steel housing w/2 junction box & 3hr NiMH battery backup
- 2E Denotes : Zinc coated steel housing w/2 junction box & DC24V emergency LED
- 1S0 Denotes : Stainless steel housing w/1 junction box
- 1SB Denotes : Stainless steel housing w/1 junction box & 3hr NiMH battery backup
- 1SE Denotes : Stainless steel housing w/1 junction box & DC24V emergency LED
- 2S0 Denotes : Stainless steel housing w/2 junction box
- 2SB Denotes : Stainless steel housing w/2 junction box & 3hr NiMH battery backup
- 2SE Denotes : Stainless steel housing w/2 junction box & DC24V emergency LED

TECHNICAL SPECIFICATIONS

IP 67

Ideal Replacement: 2 X 18W

| BH Code | Type | Main Voltage | Power | CCT | Ambient Temp (Ta) | System Lumen |
|---------------|-----------|----------------------------|-------|-------|-------------------|--------------|
| IGLALMWS2010 | LMWS2010 | 100V - 120V/220V - 240V AC | 20W | 5000K | -30°C ~ +60°C | 2000lm |
| IGLALMWS201B | LMWS201B | 100V - 120V/220V - 240V AC | 20W | 5000K | -30°C ~ +60°C | 2000lm |
| IGLALMWS201E | LMWS201E | 100V - 120V/220V - 240V AC | 20W | 5000K | -30°C ~ +60°C | 2000lm |
| IGLALMWS2020 | LMWS2020 | 100V - 120V/220V - 240V AC | 20W | 5000K | -30°C ~ +60°C | 2000lm |
| IGLALMWS202B | LMWS202B | 100V - 120V/220V - 240V AC | 20W | 5000K | -30°C ~ +60°C | 2000lm |
| IGLALMWS202E | LMWS202E | 100V - 120V/220V - 240V AC | 20W | 5000K | -30°C ~ +60°C | 2000lm |
| IGLALMWS201S0 | LMWS201S0 | 100V - 120V/220V - 240V AC | 20W | 5000K | -30°C ~ +60°C | 2000lm |
| IGLALMWS201SB | LMWS201SB | 100V - 120V/220V - 240V AC | 20W | 5000K | -30°C ~ +60°C | 2000lm |
| IGLALMWS201SE | LMWS201SE | 100V - 120V/220V - 240V AC | 20W | 5000K | -30°C ~ +60°C | 2000lm |
| IGLALMWS202S0 | LMWS202S0 | 100V - 120V/220V - 240V AC | 20W | 5000K | -30°C ~ +60°C | 2000lm |
| IGLALMWS202SB | LMWS202SB | 100V - 120V/220V - 240V AC | 20W | 5000K | -30°C ~ +60°C | 2000lm |
| IGLALMWS202SE | LMWS202SE | 100V - 120V/220V - 240V AC | 20W | 5000K | -30°C ~ +60°C | 2000lm |
| IGLALMWS2D10 | LMWS2D10 | 20V - 32V DC | 22W | 5000K | -30°C ~ +60°C | 2200lm |
| IGLALMWS2D1E | LMWS2D1E | 20V - 32V DC | 22W | 5000K | -30°C ~ +60°C | 2200lm |

Also available in other CCT.

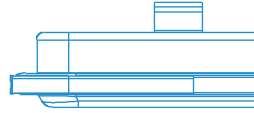
*Ambient Temperature not applicable for the 3Hr NiMH Battery Backup System and Emergency Lighting.

**Optional 93×68×39.5mm 3Hr NiMH Battery Backup module or Emergency Lighting module is installed on the junction box to IP67 rating.

***Add a "G" at the end of BH code to order luminaire with the optional SUS316 stainless steel protection guard. Eg. IGLALMWS2010G.



LED WATERTIGHT LINEAR LUMINAIRE



LMWS SERIES

- 10 Denotes : Zinc coated steel housing w/1 junction box
- 1B Denotes : Zinc coated steel housing w/1 junction box & 3hr NiMH battery backup
- 1E Denotes : Zinc coated steel housing w/1 junction box & DC24V emergency LED
- 20 Denotes : Zinc coated steel housing w/2 junction box
- 2B Denotes : Zinc coated steel housing w/2 junction box & 3hr NiMH battery backup
- 2E Denotes : Zinc coated steel housing w/2 junction box & DC24V emergency LED
- 1S0 Denotes : Stainless steel housing w/1 junction box
- 1SB Denotes : Stainless steel housing w/1 junction box & 3hr NiMH battery backup
- 1SE Denotes : Stainless steel housing w/1 junction box & DC24V emergency LED
- 2S0 Denotes : Stainless steel housing w/2 junction box
- 2SB Denotes : Stainless steel housing w/2 junction box & 3hr NiMH battery backup
- 2SE Denotes : Stainless steel housing w/2 junction box & DC24V emergency LED

TECHNICAL SPECIFICATIONS

IP 67

Ideal Replacement: 2 X 36W

| BH Code | Type | Main Voltage | Power | CCT | Ambient Temp (Ta) | System Lumen |
|---------------|-----------|----------------------------|-------|-------|-------------------|--------------|
| IGLALMWS4010 | LMWS4010 | 100V - 120V/220V - 240V AC | 40W | 5000K | -30°C ~ +60°C | 4000lm |
| IGLALMWS401B | LMWS401B | 100V - 120V/220V - 240V AC | 40W | 5000K | -30°C ~ +60°C | 4000lm |
| IGLALMWS401E | LMWS401E | 100V - 120V/220V - 240V AC | 40W | 5000K | -30°C ~ +60°C | 4000lm |
| IGLALMWS4020 | LMWS4020 | 100V - 120V/220V - 240V AC | 40W | 5000K | -30°C ~ +60°C | 4000lm |
| IGLALMWS402B | LMWS402B | 100V - 120V/220V - 240V AC | 40W | 5000K | -30°C ~ +60°C | 4000lm |
| IGLALMWS402E | LMWS402E | 100V - 120V/220V - 240V AC | 40W | 5000K | -30°C ~ +60°C | 4000lm |
| IGLALMWS401S0 | LMWS401S0 | 100V - 120V/220V - 240V AC | 40W | 5000K | -30°C ~ +60°C | 4000lm |
| IGLALMWS401SB | LMWS401SB | 100V - 120V/220V - 240V AC | 40W | 5000K | -30°C ~ +60°C | 4000lm |
| IGLALMWS401SE | LMWS401SE | 100V - 120V/220V - 240V AC | 40W | 5000K | -30°C ~ +60°C | 4000lm |
| IGLALMWS402S0 | LMWS402S0 | 100V - 120V/220V - 240V AC | 40W | 5000K | -30°C ~ +60°C | 4000lm |
| IGLALMWS402SB | LMWS402SB | 100V - 120V/220V - 240V AC | 40W | 5000K | -30°C ~ +60°C | 4000lm |
| IGLALMWS402SE | LMWS402SE | 100V - 120V/220V - 240V AC | 40W | 5000K | -30°C ~ +60°C | 4000lm |

Also available in other CCT.

*Ambient Temperature not applicable for the 3Hr NiMH Battery Backup System and Emergency Lighting.

**Optional 93×68×39.5mm 3Hr NiMH Battery Backup module or Emergency Lighting module is installed on the junction box to IP67 rating.

***Add a "G" at the end of BH code to order luminaire with the optional SUS316 stainless steel protection guard. Eg. IGLALMWS4010G.

