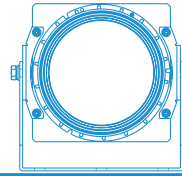


MODULAR LED BOAT DECK LIGHT



MFL 1 SERIES



Key Features

- Designed with reliable driver on board to enhance the service life
- Rapid heat-dissipating design to prolong lamp life and optimise lumen output
- Long service life of 100,000 hours @ 50°C (Ta)
- Compact and lightweight design
- Interchangeable module
- Safety, EMC and IEC compliance



Application

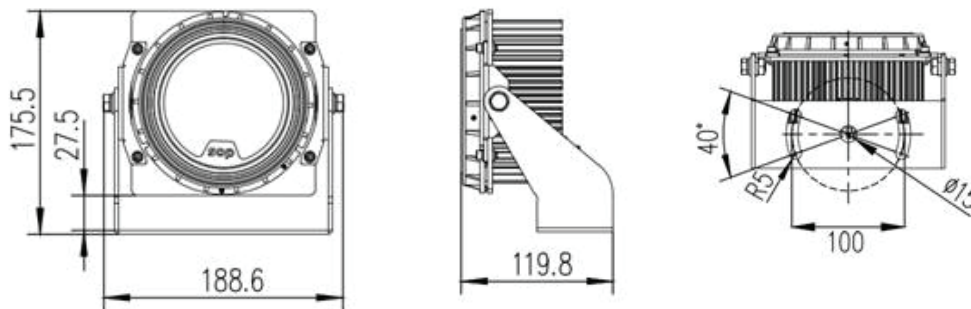
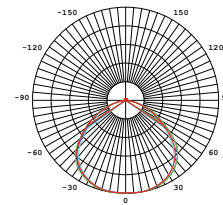
Decks, Lifeboat launching area

Material

Marine grade aluminium alloy with powder coating, comes with 4mm tempered glass front cover

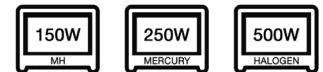
Weight

1.9Kg



TECHNICAL SPECIFICATIONS IP 66

Ideal Replacement:



BH Code	Type	Main Voltage	Power	CCT	Beam Angle	Ambient Temp (Ta)	System Lumen
LAMFL15FDR	MFL1FD	24V DC	56W	5000K	130°	-40°C ~ +50°C	4900lm

Also available in other CCT and beam angle upon request.

