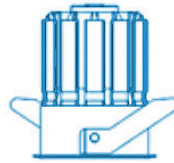


# LED COB DOWNLIGHT



## DLC SERIES



### Application

Cabin, Galley, Lounge, Corridor, Lobby

### Material

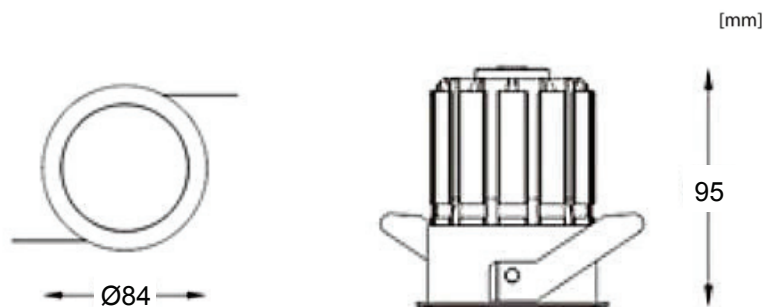
Aluminium alloy with powder coating

### Protection Class

IP40

### Key Features

- Energy savings of up to 40% compared to compact fluorescent system
- Vibration-resistant
- Long service life of 50,000 hours L70
- CE Marking, EMC safety compliance



## TECHNICAL SPECIFICATIONS



Ideal Replacement:  26W CFL

BH Code	Type	Voltage	Power	CCT	Beam Angle	Ambient Temp (Ta)	System Lumen
LADLC153A2	DLC15A2	220V - 240V AC	15W	3000K	38°	-30°C ~ +40°C	1100lm

Also available in other CCT.

