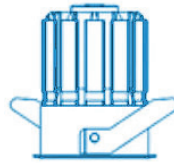


LED COB DOWNLIGHT



DLC SERIES



Application

Cabin, Galley, Lounge, Corridor, Lobby

Material

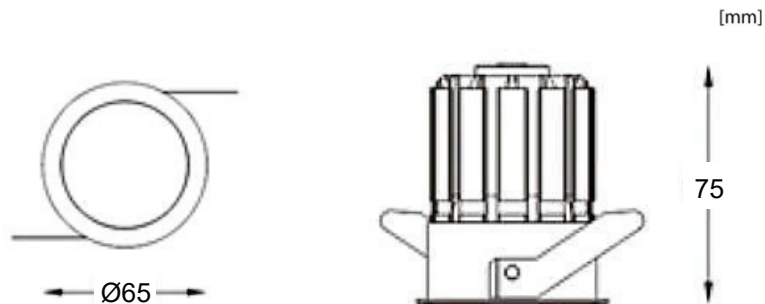
Aluminium alloy with powder coating

Protection Class

IP40

Key Features

- Energy savings of up to 40% compared to compact fluorescent system
- Vibration-resistant
- Long service life of 50,000 hours L70
- CE Marking, EMC safety compliance



TECHNICAL SPECIFICATIONS



Ideal Replacement:  15W CFL

BH Code	Type	Voltage	Power	CCT	Beam Angle	Ambient Temp (Ta)	System Lumen
LADLC93A2	DLC9A2	220V - 240V AC	9W	3000K	36°	-30°C ~ +40°C	670lm

Also available in other CCT.

