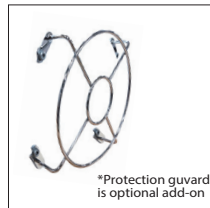


HIGH PERFORMANCE MODULAR LED FLOODLIGHT



LF90 - 1 SERIES



Key Features

- Available in 100-240VAC
- Triac Dimming Compatible
- Rapid heat-dissipating design to prolong lamp life and optimise lumen output
- Long service life of >50,000 hours L70 @ 50°C (Ta)
- Compact and lightweight design
- Safety, EMC and IEC compliance



Application

Decks, Marinas, Docks, Ports, Warehouses

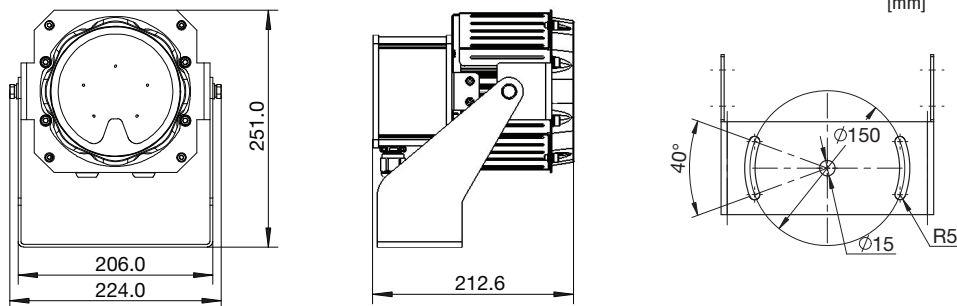
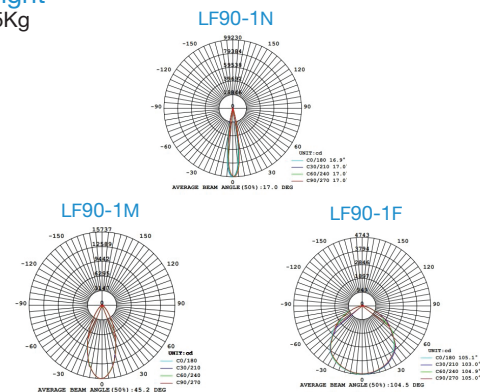
Material

Marine grade aluminium alloy with powder coating, comes with 4mm tempered glass front cover

Optional protection guard: SUS316 stainless steel

Weight

4.35Kg



TECHNICAL SPECIFICATIONS



Subject to Replacement based on Projection Distance:



Type	Modules	Beam Angle (50%)	Beam Angle (10%)	Power	CCT	Ambient Temp (Ta)	Lumen	CD	Projection Distance	Illum. Area (Diameter)
									@200 Lux	
LF90N01A34	1M-N	17°	32°	90W	5000K	-40°C ~ +50°C	11400lm	96800cd	22.0m	6.6m
LF90M01A34	1M-M	45°	87°	90W	5000K	-40°C ~ +50°C	10800lm	14000cd	8.4m	6.9m
LF90F01A34	1M-F	105°	148°	90W	5000K	-40°C ~ +50°C	11700lm	4500cd	4.7m	12.4m

Also available in other CCT and beam angle upon request.