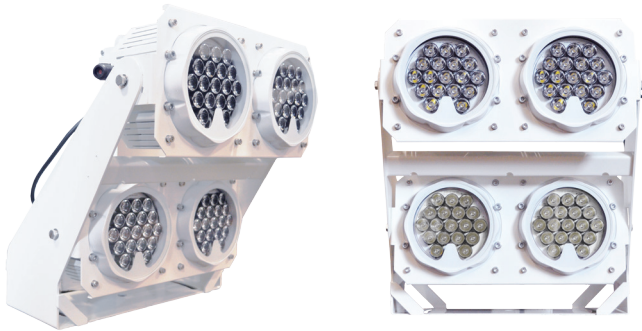


# HIGH PERFORMANCE MODULAR LED FLOODLIGHT



## LF90 - 4 SERIES



### Key Features

- Available in 100-240VAC
- Triac Dimming Compatible
- Rapid heat-dissipating design to prolong lamp life and optimise lumen output
- Long service life of >50,000 hours L70 @ 50°C (Ta)
- Compact and lightweight design
- Safety, EMC and IEC compliance



### Application

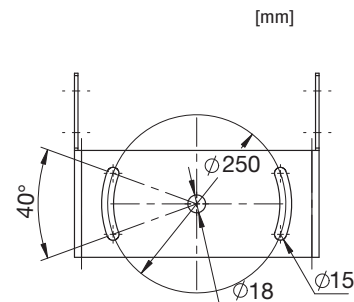
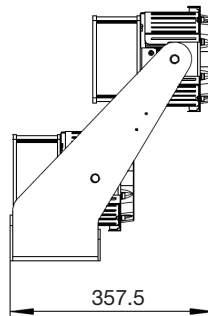
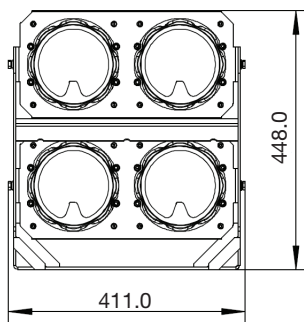
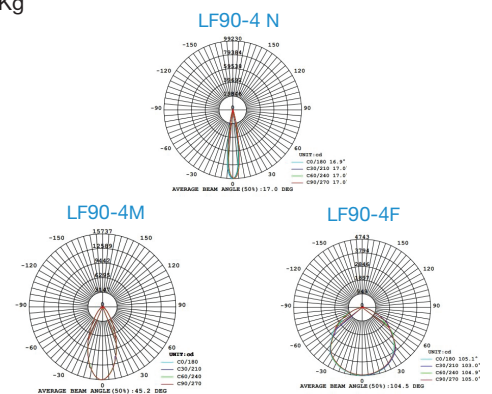
Decks, Marinas, Docks, Ports, Warehouses

### Material

Marine grade aluminium alloy with powder coating, comes with 4mm tempered glass front cover

### Weight

17Kg



### TECHNICAL SPECIFICATIONS



Subject to Replacement based on Projection Distance:



Type	Modules	Beam Angle (50%)	Beam Angle (10%)	Power	CCT	Ambient Temp (Ta)	Lumen	CD	Projection Distance	Illum. Area (Diameter)
									@200 Lux	
LF90N04A34	4M-N	17°	32°	360W	5000K	-40°C ~ +50°C	45600lm	387200cd	44.0m	13.2m
LF90M04A34	4M-M	45°	87°	360W	5000K	-40°C ~ +50°C	43200lm	56000cd	16.7m	13.9m
LF90F04A34	4M-F	105°	148°	360W	5000K	-40°C ~ +50°C	46800lm	18000cd	9.5m	24.7m

Also available in other CCT and beam angle upon request.