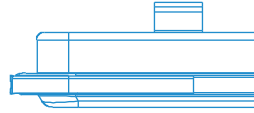
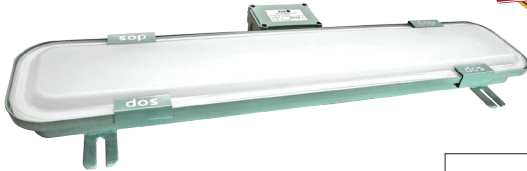


# LED WATERTIGHT LINEAR LUMINAIRE



## LWM SERIES



### Application

Decks, Engine rooms, Marinas, Docks, Ports, Warehouses

### Mounting Method

Surface mounted

### Material

Diffuser: Polycarbonate  
 Housing: Zinc coated steel or SUS316 stainless steel, Powder coated green  
 Optional protection guard: SUS316 stainless steel

### Electrical

Flexible wiring, Heat resistant up to 105°C

### Options

20V-32V DC

### Weight

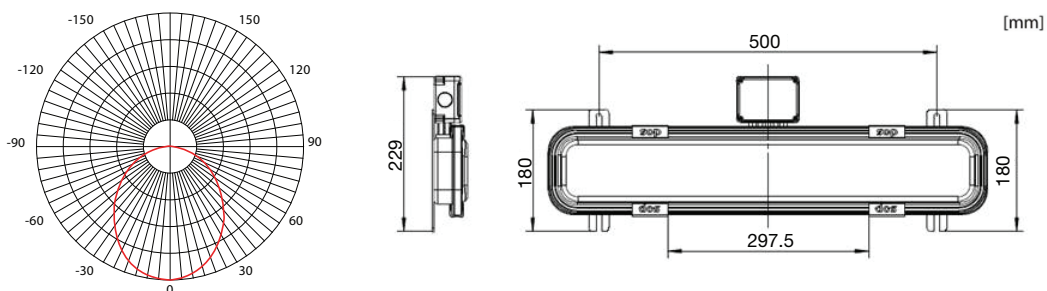
LWM20 (ZCS): 2.0Kg LWM20 (SUS316): 2.1Kg  
 LWM40 (ZCS): 3.7Kg LWM40 (SUS316): 3.8Kg  
 With 2nd Junction Box: Add 0.2Kg  
 With LWM20 Protection Guard: Add 0.2Kg  
 With LWM40 Protection Guard: Add 0.4Kg

### Key Features

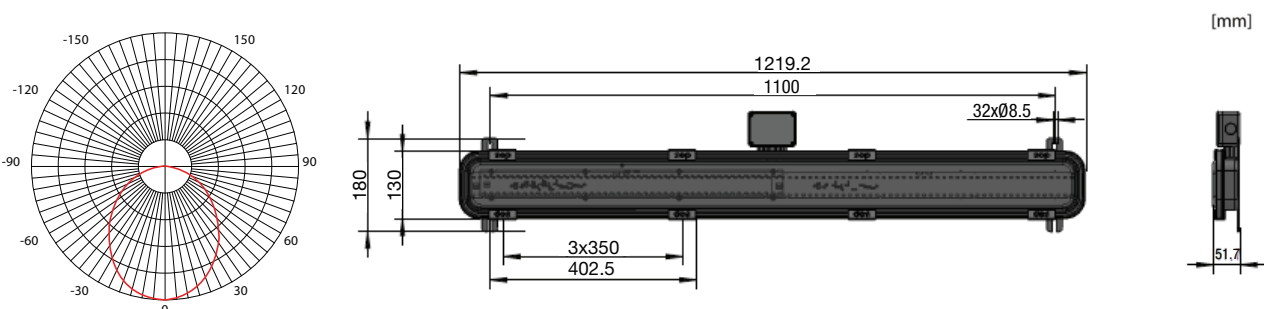
- Super thin light weight design
- Superior thermal design to allow the luminaire to operate at high ambient temperature up to 60°C, suitable for usage even in hot engine room
- Designed with reliable AC driver on board to enhance the service life
- Designed with junction box for fast termination
- Polycarbonate diffuser prevents glare for better eye comfort
- Supports dual voltage AC100V-120V / 220V-240V. Option for DC20V-32V available
- Long service life of 50,000 hours @ 50°C (Ta)
- Marine class compliance



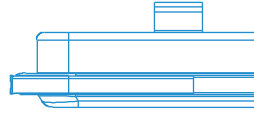
### LWM20



### LWM40



# LED WATERTIGHT LINEAR LUMINAIRE



## LWM SERIES

- S Denotes : Standard lighting
- B Denotes : With 3Hr NiMH battery backup
- E Denotes : With DC24V emergency LED

## TECHNICAL SPECIFICATIONS IP 66

Ideal Replacement: 2 X 18W

BH Code	Type	Main Voltage	Power	CCT	Ambient Temp (Ta)	System Lumen	Housing
LWM20S35KA3S	LWM20-S3	100V - 120V / 220V - 240V AC	20W	5000K	-30°C ~ +60°C	2000lm	SUS316 Stainless Steel
LWM20GS35KA3S	LWM20-S3G	100V - 120V / 220V - 240V AC	20W	5000K	-30°C ~ +60°C	2000lm	SUS316 Stainless Steel
LWM20S35KA3B	LWM20-S3B	100V - 120V / 220V - 240V AC	20W	5000K	-30°C ~ +60°C	2000lm	SUS316 Stainless Steel
LWM20GS35KA3B	LWM20-S3BG	100V - 120V / 220V - 240V AC	20W	5000K	-30°C ~ +60°C	2000lm	SUS316 Stainless Steel
LWM20S35KA3E	LWM20-S3E	100V - 120V / 220V - 240V AC	20W	5000K	-30°C ~ +60°C	2000lm	SUS316 Stainless Steel
LWM20GS35KA3E	LWM20-S3EG	100V - 120V / 220V - 240V AC	20W	5000K	-30°C ~ +60°C	2000lm	SUS316 Stainless Steel
LWM20Z35KA3S	LWM20-Z3	100V - 120V / 220V - 240V AC	20W	5000K	-30°C ~ +60°C	2000lm	Zinc Coated Steel
LWM20GZ35KA3S	LWM20-Z3G	100V - 120V / 220V - 240V AC	20W	5000K	-30°C ~ +60°C	2000lm	Zinc Coated Steel
LWM20Z35KA3B	LWM20-Z3B	100V - 120V / 220V - 240V AC	20W	5000K	-30°C ~ +60°C	2000lm	Zinc Coated Steel
LWM20GZ35KA3B	LWM20-Z3BG	100V - 120V / 220V - 240V AC	20W	5000K	-30°C ~ +60°C	2000lm	Zinc Coated Steel
LWM20Z35KA3E	LWM20-Z3E	100V - 120V / 220V - 240V AC	20W	5000K	-30°C ~ +60°C	2000lm	Zinc Coated Steel
LWM20GZ35KA3E	LWM20-Z3EG	100V - 120V / 220V - 240V AC	20W	5000K	-30°C ~ +60°C	2000lm	Zinc Coated Steel
LWM20Z35KD2S	LWM20-Z3	20V - 32V DC	22W	5000K	-30°C ~ +60°C	2200lm	Zinc Coated Steel
LWM20GZ35KD2S	LWM20-Z3G	20V - 32V DC	22W	5000K	-30°C ~ +60°C	2200lm	Zinc Coated Steel

Also available in other CCT.

\*Ambient Temperature is not applicable for the 3Hr NiMH Battery Backup System and Emergency Lighting.

\*\*Optional 93x68x39.5mm 3Hr NiMH Battery Backup module or Emergency Lighting module is installed on the junction box to IP67 rating.

\*\*\*A "G" added at the end of Type code to indicate luminaire with SUS316 stainless steel protection guard.