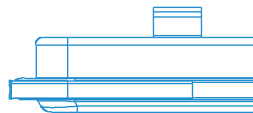
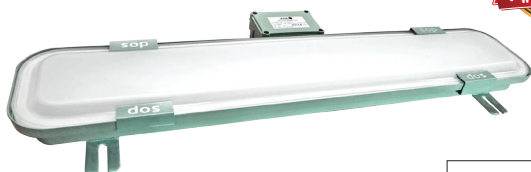


LED WATERTIGHT LINEAR LUMINAIRE



LWM SERIES



Application

Decks, Engine rooms, Marinas, Docks, Ports, Warehouses

Mounting Method

Surface mounted

Material

Diffuser: Polycarbonate
 Housing: Zinc coated steel or SUS316 stainless steel, Powder coated green
 Optional protection guard: SUS316 stainless steel

Electrical

Flexible wiring, Heat resistant up to 105°C

Options

20V-32V DC

Weight

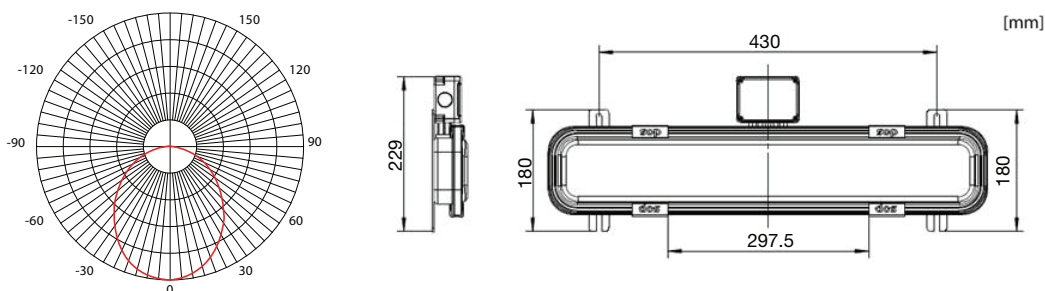
LWM20 (ZCS): 2.0Kg LWM20 (SUS316): 2.1Kg
 LWM40 (ZCS): 3.7Kg LWM40 (SUS316): 3.8Kg
 With 2nd Junction Box: Add 0.2Kg
 With LWM20 Protection Guard: Add 0.2Kg
 With LWM40 Protection Guard: Add 0.4Kg

Key Features

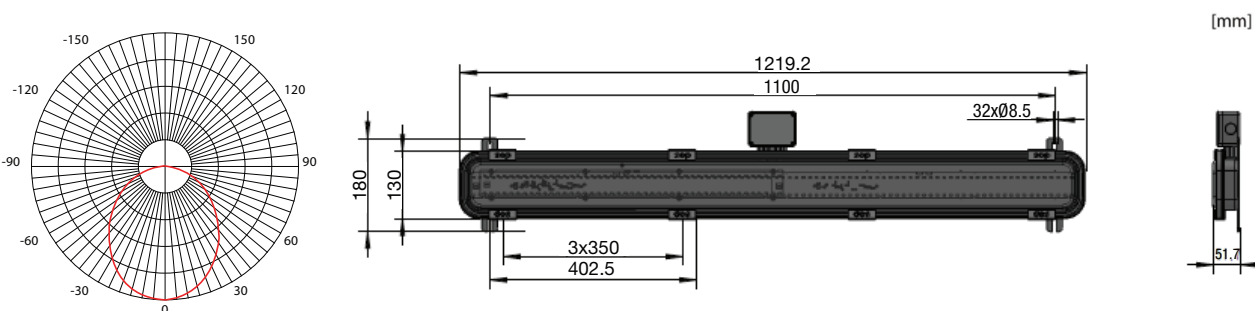
- Super thin light weight design
- Superior thermal design to allow the luminaire to operate at high ambient temperature up to 60°C, suitable for usage even in hot engine room
- Designed with reliable AC driver on board to enhance the service life
- Designed with junction box for fast termination
- Polycarbonate diffuser prevents glare for better eye comfort
- Supports dual voltage AC100V-120V / 220V-240V. Option for DC20V-32V available
- Long service life of 50,000 hours @ 50°C (Ta)
- Marine class compliance



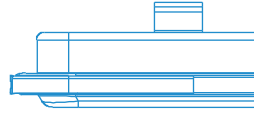
LWM20



LWM40



LED WATERTIGHT LINEAR LUMINAIRE



LWM SERIES

- S Denotes : Standard lighting
- B Denotes : With 3Hr NiMH battery backup
- E Denotes : With DC24V emergency LED

TECHNICAL SPECIFICATIONS IP 66

Ideal Replacement: 2 X 18W

BH Code	Type	Main Voltage	Power	CCT	Ambient Temp (Ta)	System Lumen	Housing
LWM20S35KA3S	LWM20-S3	100V - 120V / 220V - 240V AC	20W	5000K	-30°C ~ +60°C	2000lm	SUS316 Stainless Steel
LWM20GS35KA3S	LWM20-S3G	100V - 120V / 220V - 240V AC	20W	5000K	-30°C ~ +60°C	2000lm	SUS316 Stainless Steel
LWM20S35KA3B	LWM20-S3B	100V - 120V / 220V - 240V AC	20W	5000K	-30°C ~ +60°C	2000lm	SUS316 Stainless Steel
LWM20GS35KA3B	LWM20-S3BG	100V - 120V / 220V - 240V AC	20W	5000K	-30°C ~ +60°C	2000lm	SUS316 Stainless Steel
LWM20S35KA3E	LWM20-S3E	100V - 120V / 220V - 240V AC	20W	5000K	-30°C ~ +60°C	2000lm	SUS316 Stainless Steel
LWM20GS35KA3E	LWM20-S3EG	100V - 120V / 220V - 240V AC	20W	5000K	-30°C ~ +60°C	2000lm	SUS316 Stainless Steel
LWM20Z35KA3S	LWM20-Z3	100V - 120V / 220V - 240V AC	20W	5000K	-30°C ~ +60°C	2000lm	Zinc Coated Steel
LWM20GZ35KA3S	LWM20-Z3G	100V - 120V / 220V - 240V AC	20W	5000K	-30°C ~ +60°C	2000lm	Zinc Coated Steel
LWM20Z35KA3B	LWM20-Z3B	100V - 120V / 220V - 240V AC	20W	5000K	-30°C ~ +60°C	2000lm	Zinc Coated Steel
LWM20GZ35KA3B	LWM20-Z3BG	100V - 120V / 220V - 240V AC	20W	5000K	-30°C ~ +60°C	2000lm	Zinc Coated Steel
LWM20Z35KA3E	LWM20-Z3E	100V - 120V / 220V - 240V AC	20W	5000K	-30°C ~ +60°C	2000lm	Zinc Coated Steel
LWM20GZ35KA3E	LWM20-Z3EG	100V - 120V / 220V - 240V AC	20W	5000K	-30°C ~ +60°C	2000lm	Zinc Coated Steel
LWM20Z35KD2S	LWM20-Z3	20V - 32V DC	22W	5000K	-30°C ~ +60°C	2200lm	Zinc Coated Steel
LWM20GZ35KD2S	LWM20-Z3G	20V - 32V DC	22W	5000K	-30°C ~ +60°C	2200lm	Zinc Coated Steel

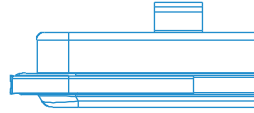
Also available in other CCT.

*Ambient Temperature is not applicable for the 3Hr NiMH Battery Backup System and Emergency Lighting.

**Optional 93x68x39.5mm 3Hr NiMH Battery Backup module or Emergency Lighting module is installed on the junction box to IP67 rating.

***A "G" added at the end of Type code to indicate luminaire with SUS316 stainless steel protection guard.

LED WATERTIGHT LINEAR LUMINAIRE



LWM SERIES

- S Denotes : Standard lighting
- B Denotes : With 3Hr NiMH battery backup
- E Denotes : With DC24V emergency LED

TECHNICAL SPECIFICATIONS IP 66

Ideal Replacement: 

BH Code	Type	Main Voltage	Power	CCT	Ambient Temp (Ta)	System Lumen	Housing
LWM40S35KA3S	LWM40-S3	100V - 120V / 220V - 240V AC	40W	5000K	-30°C ~ +60°C	4000lm	SUS316 Stainless Steel
LWM40S35KA3B	LWM40-S3B	100V - 120V / 220V - 240V AC	40W	5000K	-30°C ~ +60°C	4000lm	SUS316 Stainless Steel
LWM40S35KA3E	LWM40-S3E	100V - 120V / 220V - 240V AC	40W	5000K	-30°C ~ +60°C	4000lm	SUS316 Stainless Steel
LWM40Z35KA3S	LWM40-Z3	100V - 120V / 220V - 240V AC	40W	5000K	-30°C ~ +60°C	4000lm	Zinc Coated Steel
LWM40Z35KA3B	LWM40-Z3B	100V - 120V / 220V - 240V AC	40W	5000K	-30°C ~ +60°C	4000lm	Zinc Coated Steel
LWM40Z35KA3E	LWM40-Z3E	100V - 120V / 220V - 240V AC	40W	5000K	-30°C ~ +60°C	4000lm	Zinc Coated Steel

Also available in other CCT.

*Ambient Temperature is not applicable for the 3Hr NiMH Battery Backup System and Emergency Lighting.

**Optional 93×68×39.5mm 3Hr NiMH Battery Backup module or Emergency Lighting module is installed on the junction box to IP67 rating.