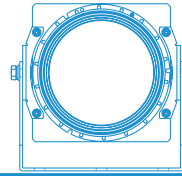


# MODULAR LED BOAT DECK LIGHT



## LF60 1 SERIES



### Key Features

- Designed with reliable driver on board to enhance the service life
- Rapid heat-dissipating design to prolong lamp life and optimise lumen output
- Long service life of 100,000 hours @ 50°C (Ta)
- Compact and lightweight design
- Interchangeable module
- Safety, EMC and IEC compliance



### Application

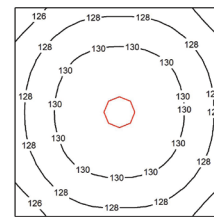
Decks, Lifeboat launching area

### Material

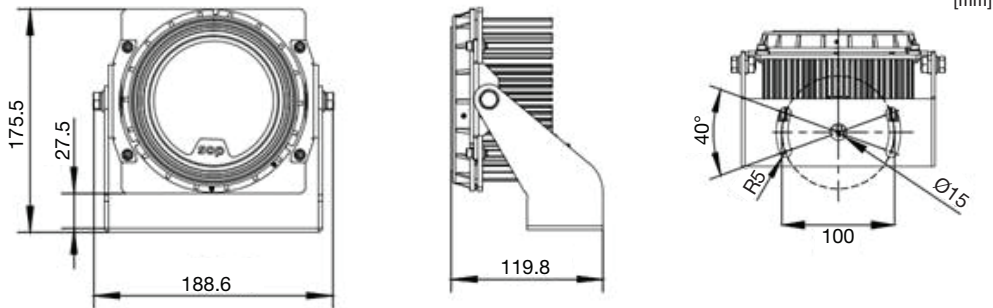
Marine grade aluminium alloy with powder coating, comes with 4mm tempered glass front cover

### Weight

1.9Kg



Wide beam model:  
Average Lux : 129lx  
Mounting Height : 3 Meters  
Measurement Area : 1m<sup>2</sup>



## TECHNICAL SPECIFICATIONS IP 66

Ideal Replacement:



BH Code	Type	Main Voltage	Power	CCT	Beam Angle	Ambient Temp (Ta)	System Lumen
LF60F015KD25	LF60F01	24V DC	56W	5000K	130°	-40°C ~ +50°C	4900lm

Also available in other CCT and beam angle upon request.