

LED WALL LIGHT



LGB SERIES



Key Features

- Complete solution with heat sink, driver and polycarbonate diffuser
- Triac dimming compatible (220-240VAC & 100V-120VAC only)
- Vibration-resistant
- Alternative to 100W incandescent bulb
- Energy savings of up to 90% compared to 100W incandescent bulb
- Long service life of 50,000 hours L70 @ 45°C (Ta)
- Safety, EMC and IEC compliance,



Application

Engine rooms, Low visibility areas, Decks, Warehouses, Yards

Material

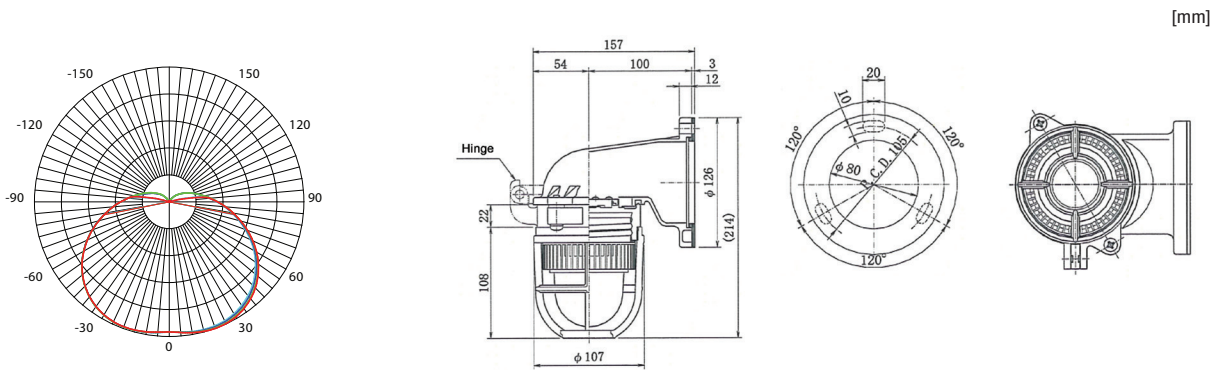
Marine grade aluminium alloy with powder coating and PBT fiberglass reinforced body, polycarbonate diffuser and guard

Options

Polycarbonate clear guard (PC)
Polycarbonate red guard (PR)

Weight

1.0Kg



TECHNICAL SPECIFICATIONS IP 56

- PC Denotes : Polycarbonate clear guard
- PR Denotes : Polycarbonate red guard

Ideal Replacement:



BH Code	Type	Main Voltage	Power	CCT	Beam Angle	Ambient Temp (Ta)	System Lumen
LGB13A225KPC	LGB-13	220V - 240V AC	13W	5000K	160°	-40°C ~ +45°C	900lm
LGB12A115KPC	LGB-12	100V - 120V AC	12W	5000K	160°	-40°C ~ +45°C	900lm
LGB10D245KPC	LGB-10	24V DC	10W	5000K	160°	-40°C ~ +45°C	950lm
LGB10D245KPR	LGB-10	24V DC	10W	5000K	160°	-40°C ~ +45°C	950lm

Also available in other CCT.

Due to our continuous development and product improvement policy, we reserve the rights to revise the specifications of all products without prior notice.

