

LED WALL LIGHT



LGB SERIES



Key Features

- Complete solution with heat sink, driver and polycarbonate diffuser
- Vibration-resistant
- Alternative to 300W incandescent bulb
- Energy savings of up to 90% compared to 300W incandescent bulb
- Long service life of 30,000 hours L70 @ 45°C (Ta)
- Safety, EMC and IEC compliance

Application

Engine rooms, Low visibility areas, Decks, Warehouses, Yards

Material

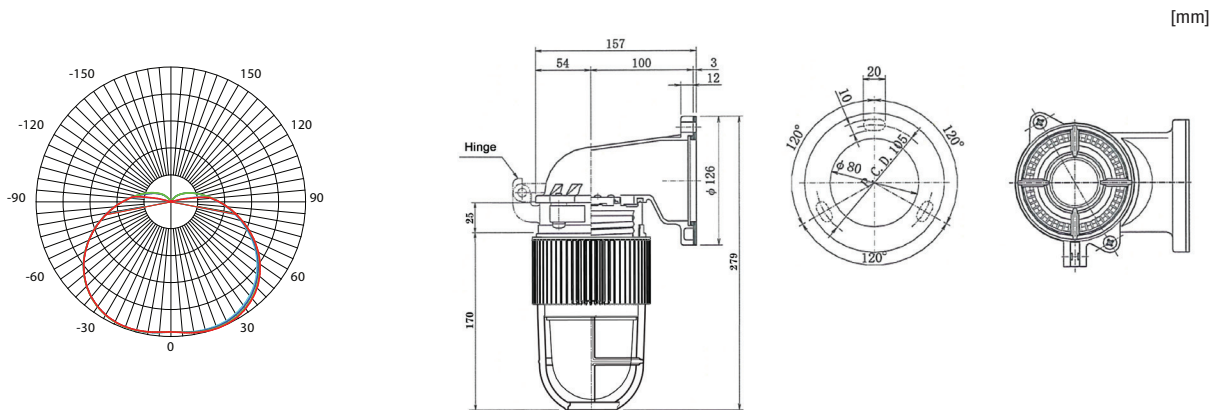
Marine grade aluminium alloy with powder coating and PBT fiberglass reinforced body, polycarbonate diffuser and guard

Options

Polycarbonate clear guard (PC)
Polycarbonate red guard (PR)

Weight

1.5Kg



TECHNICAL SPECIFICATIONS



- PC Denotes : Polycarbonate clear guard
- PR Denotes : Polycarbonate red guard

Ideal Replacement:



BH Code	Type	Main Voltage	Power	CCT	Beam Angle	Ambient Temp (Ta)	System Lumen
LGB30AD25KPC	LGB-30	100V - 240V AC/DC	30W	5000K	180°	-40°C ~ +45°C	2900lm
LGB30AD25KPR	LGB-30	100V - 240V AC/DC	30W	5000K	180°	-40°C ~ +45°C	2900lm

Also available in other CCT.



Due to our continuous development and product improvement policy, we reserve the rights to revise the specifications of all products without prior notice.